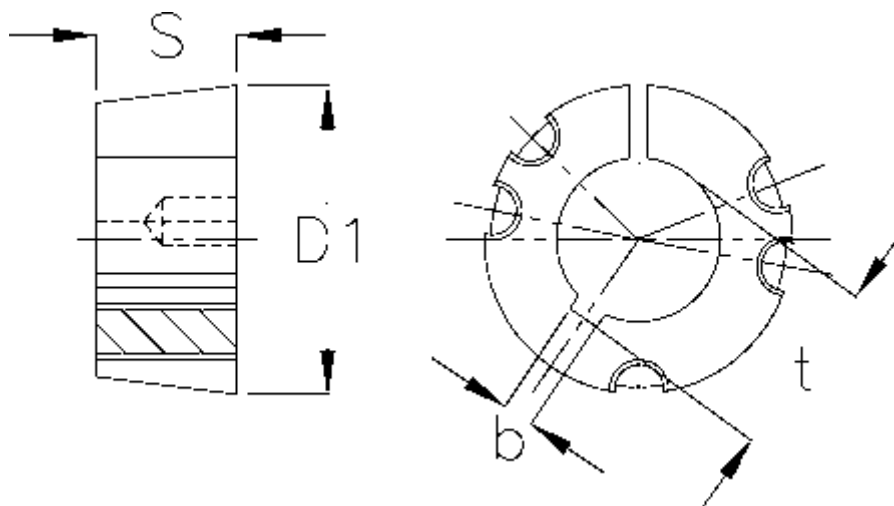


Article number: 6160404535080

Description: Taper bush 4535 bore $\varnothing 80$ mm

Measures



b	= 22
Bore	= 80
Bush type	= 4535
D1	= 162
S	= 89
Screw size	= 3/4 x 2"
t	= 85.4
Transmission moment	= 12400